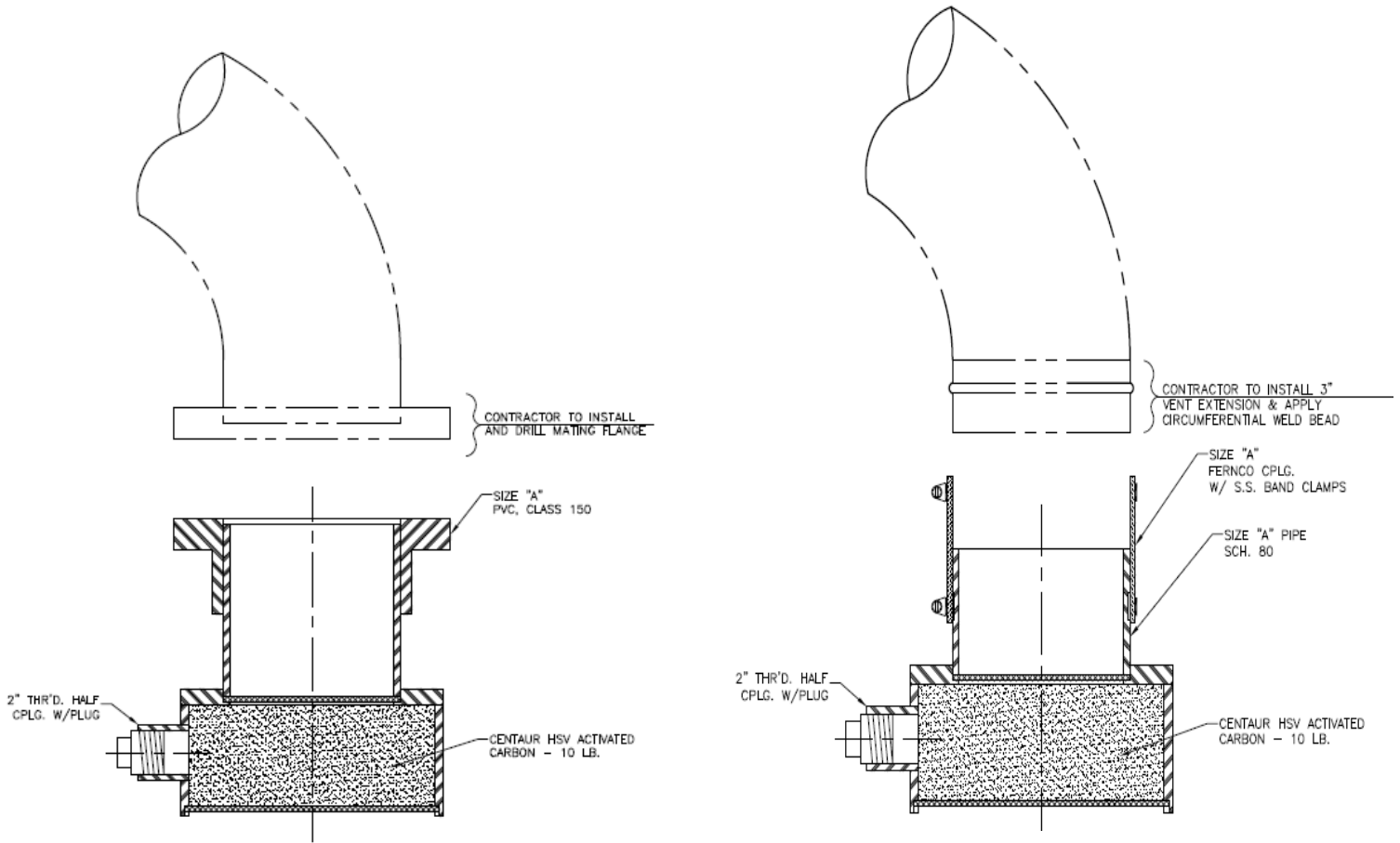


Sweet-Vent Odor Control Module



Flanged Sweet-Vent

Slip-On Sweet-Vent

Features	<ul style="list-style-type: none"> * Passive System * All-Plastic Construction * Slip-on or flanged connection 																					
Benefits	<ul style="list-style-type: none"> * System has no moving parts and requires no water or electricity * Reliable, non-corrosive construction ensures years of service * Flexible, connection options – connects to plain end or flanged sweet-vent stacks * Stable operation able to treat uneven loadings and spikes without breakthroughs 																					
Specs	<table border="1" style="width: 100%; border-collapse: collapse;"> <thead> <tr> <th>Pipe Size</th> <th>Slip On Part Number</th> <th>Flanged Part Number</th> </tr> </thead> <tbody> <tr> <td>3"</td> <td>966 2102</td> <td>967 2192</td> </tr> <tr> <td>4"</td> <td>965 4771</td> <td>965 2371</td> </tr> <tr> <td>6"</td> <td>965 4772</td> <td>965 1132</td> </tr> <tr> <td>8"</td> <td>965 4773</td> <td>965 2372</td> </tr> <tr> <td>10"</td> <td>965 4774</td> <td>965 6741</td> </tr> <tr> <td>12"</td> <td>N/A</td> <td>966 2202</td> </tr> </tbody> </table>	Pipe Size	Slip On Part Number	Flanged Part Number	3"	966 2102	967 2192	4"	965 4771	965 2371	6"	965 4772	965 1132	8"	965 4773	965 2372	10"	965 4774	965 6741	12"	N/A	966 2202
Pipe Size	Slip On Part Number	Flanged Part Number																				
3"	966 2102	967 2192																				
4"	965 4771	965 2371																				
6"	965 4772	965 1132																				
8"	965 4773	965 2372																				
10"	965 4774	965 6741																				
12"	N/A	966 2202																				